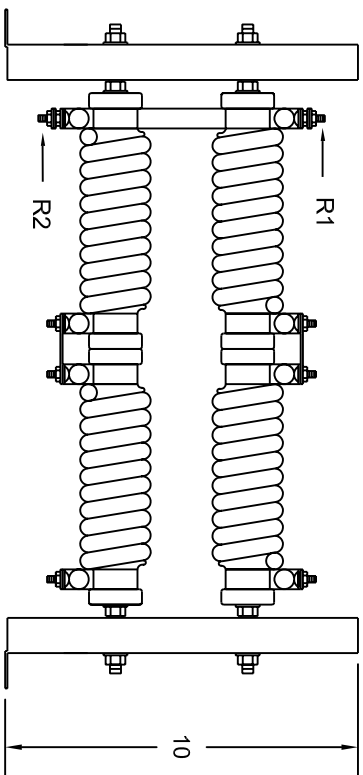
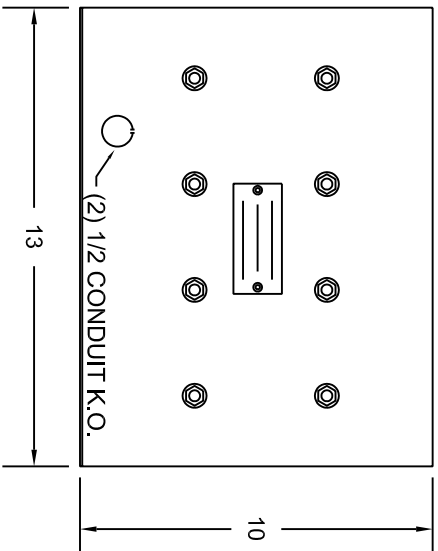


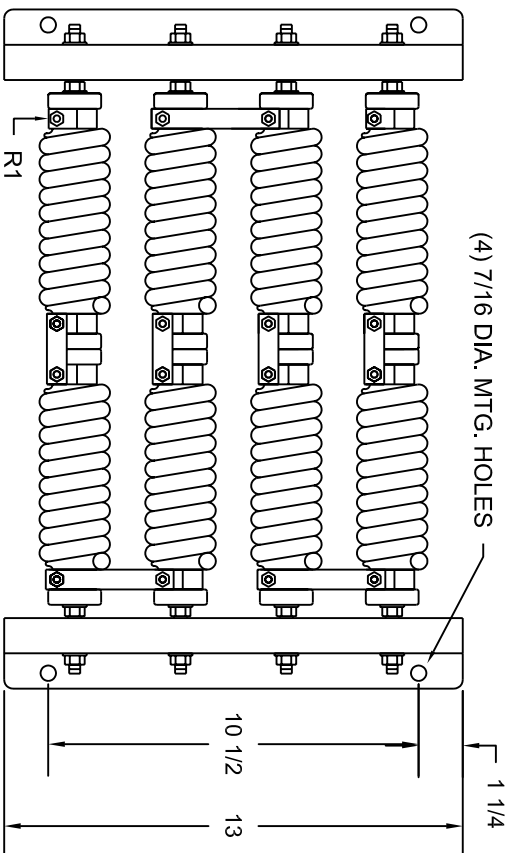
FRONT VIEW



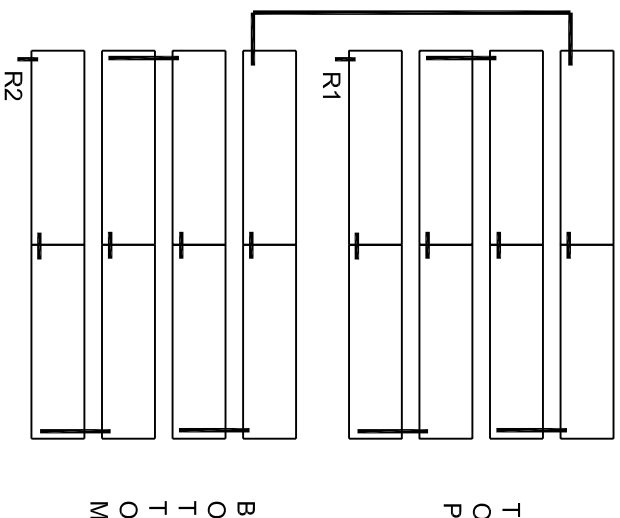
LEFT SIDE VIEW



TOP VIEW



ASSEMBLY



TAP DATA

STEPS

OHMS

C.C.

R1-R2

**GENERAL NOTES:**

- A. UNLESS OTHERWISE NOTED:
- 1. ALL DIMENSIONS ARE IN INCHES.
- B. 10-24 HARDWARE PROVIDED AT TERMINAL CONNECTIONS.
- C. PERFORATED COVER, OPEN BOTTOM.



5713 13TH STREET  
KATY, TEXAS 77499  
PHONE: (800) 838-4699

(24) TYPE WR COILS

TEXT

DWG. NO.

GLE28

REV.

0

SHEET

1 of 1

DRAWN BY

GSV

CHECKED BY

GLE28

DATE

6/12/97

SIZE

A